

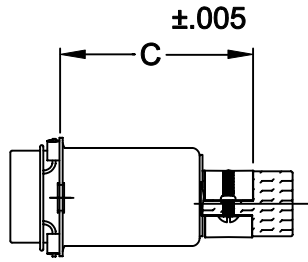
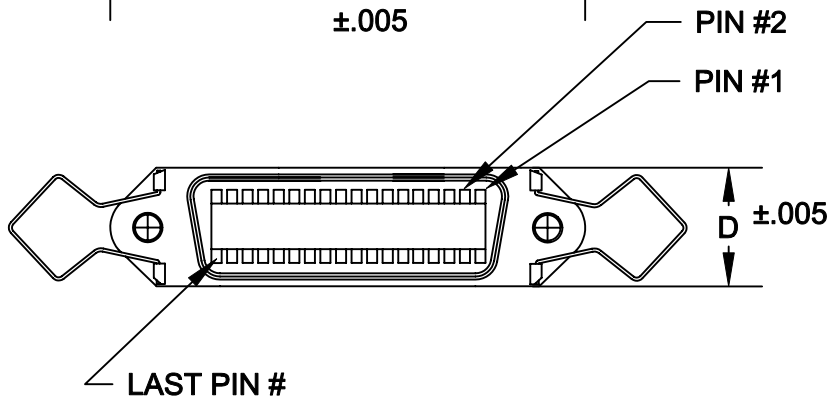
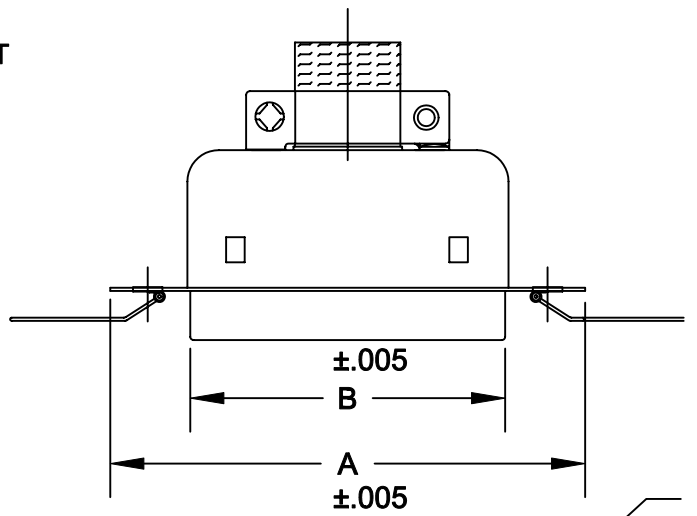
BACKSHELL KIT INCLUDES:

- (1) SOLDER CUP CONNECTOR
- (1) BACKSHELL WITH STRAIN RELIEF, (2) SCREWS
- (2) ASSEMBLY SCREWS
- (2) SPRING LATCHES
- (1) RUBBER GROMMET

WILL ACCEPT 26-20 AWG WIRE

110-YYY-203L001

SERIES _____
 POSITIONS _____
 014 _____
 024 - NOT AVAILABLE _____
 036 _____
 050 _____
 GENDER _____
 1 = MALE _____
 2 = FEMALE _____
 TERMINATION: _____
 0 = SOLDER CUP _____
 SHELL PLATING _____
 3 = NICKEL _____
 HARDWARE OPTIONS: _____
 00 = NOT AVAILABLE _____
 PLATING OPTIONS _____
 1 = GOLD FLASH _____



	A	B	C	D
14	1.729	.992	1.252	.622
	43.92	25.20	31.79	15.80
24	2.167	1.417	1.225	.622
	55.05	36.00	31.11	15.80
36	2.669	1.925	1.295	.622
	67.80	48.90	32.90	15.80
50	3.260	2.519	1.407	.622
	82.80	64.00	35.75	15.80

MATERIALS:

INSULATOR: GLASS-FILLED THERMOPLASTIC
 UL RATED 94V-0 - 230°C PROCESS TEMP.
 CONTACTS: COPPER ALLOY
 SHELL: STEEL, NICKEL PLATED

RoHS COMPLIANT

ELECTRICALS:

CONTACT CURRENT RATING: 5 AMPS
 DIELECTRIC WITHSTANDING VOLTAGE: AC 1200 R.M.S.
 INSULATION RESISTANCE: 1000 mohms MINIMUM AT 500V DC
 CONTACT RESISTANCE: 30 mOHMS MAXIMUM
 OPERATING TEMPERATURE: -55°C TO +125°C

	THESE DRAWINGS AND SPECIFICATIONS ARE THE PROPERTY OF NorComp AND SHALL NOT BE REPRODUCED, COPIED OR USED AS THE BASIS FOR THE MANUFACTURE OF SALE OF APPARATUS WITHOUT WRITTEN PERMISSION.		DRAWN: WAYNE ROBBINS	DATE: 7-15-05
	<h1>NorComp</h1>		CHECKED:	DATE:
SCALE: 1:1			SHEET 1 OF 1	REV 3
DWG NO. 110-YYY-203L001				